



Getac RX10 Docking Station

A lightweight, rugged, and easy to use docking system for your Getac tablet

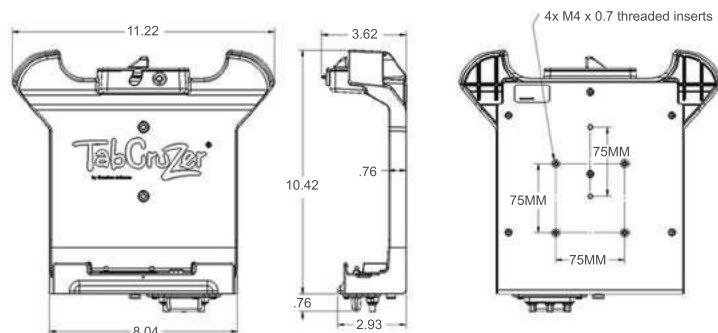
Easily attach your Getac RX10 tablet to a wall or medical cart. The slim design (just 3.62") means it can easily be mounted in places with less space.

One-handed operation

Sometimes when you're working, you have your hands full. That's why the RX10 docking station was designed to be used one-handed. Just push the top of the computer against the latch button until the latch engages - now your computer is fully docked. To remove it, use the palm of your hand to push down on the latch button then pull the computer out.

Rugged design

Whether your RX10 is wall or cart mounted, if you bump into it, knock equipment on it, or tip your cart over - as long as it's in the docking station, your tablet will be safe. All Gamber-Johnson products go through extensive shock, vibration, and crash testing to ensure they hold up to the harshest abuse.



Features

- Port replication for serial port, ethernet, USB triple RF pass through (supporting WWAN, WLAN, GPS), and power supply input
- Downward-facing I/O ports and cable strain relief system keep cables from getting damaged
- POGO pin style docking connector for easy docking
- Access all your computer function buttons, stylus, and ports while the tablet is docked
- Accommodates a barcode scanner, accessory cover, kickstand, and extended battery
- Alignment tabs prevent damage to the connector when you're docking your computer
- Steel and composite design for reduced weight
- **3 year limited warranty**

Product numbers

7160-0760-04 (no RF) 7160-0760-05 (with RF)